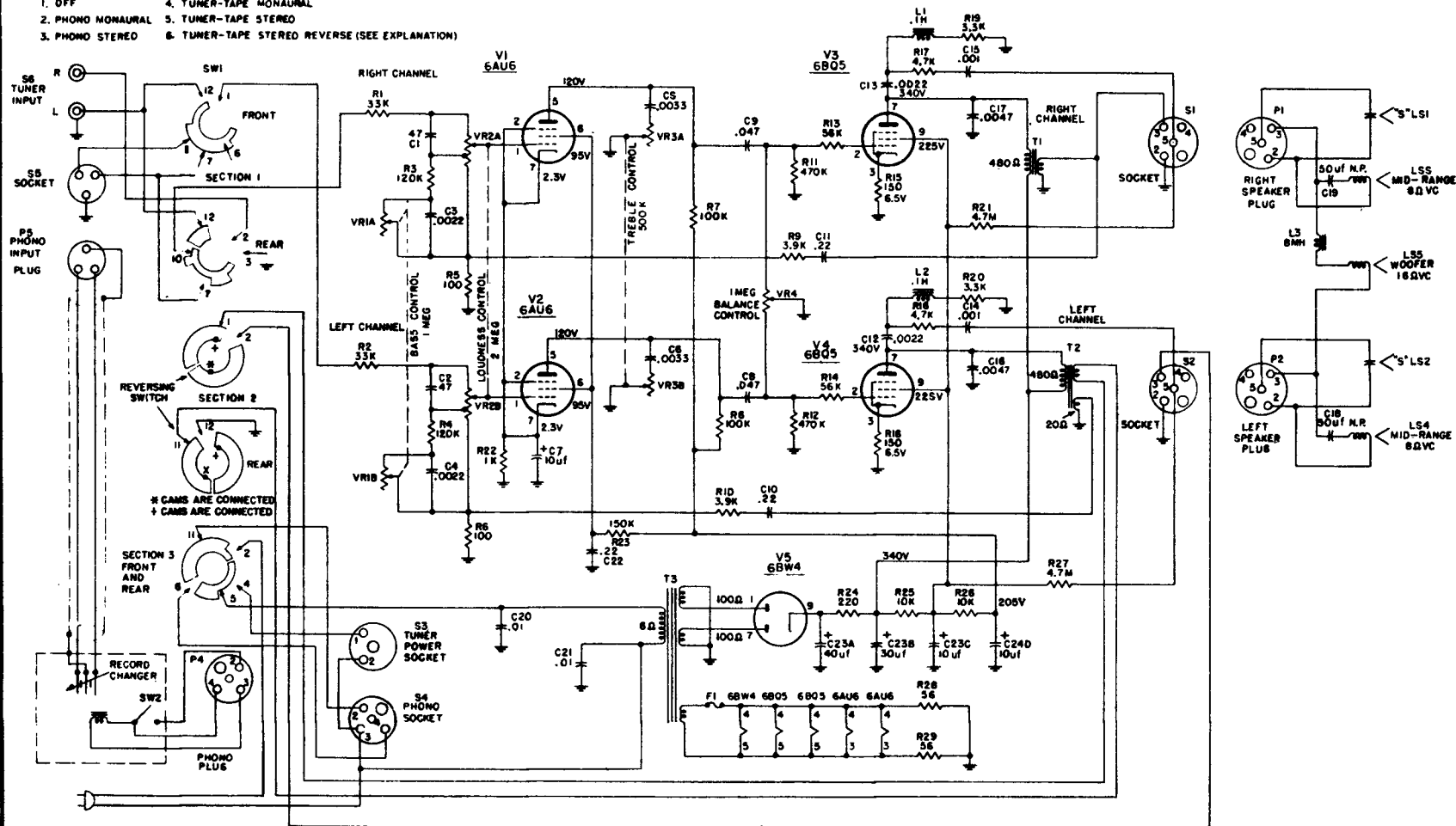


Schematic Diagram, Model H-1714

SWITCH SHOWN IN "OFF" POSITION

SWITCH POSITIONS CW ROTATION

- | | |
|-------------------|------------------------------------------------|
| 1. OFF | 4. TUNER-TAPE MONAURAL |
| 2. PHONO MONAURAL | 5. TUNER-TAPE STEREO |
| 3. PHONO STEREO | 6. TUNER-TAPE STEREO REVERSE (SEE EXPLANATION) |



PHILCO HIGH FIDELITY STEREOPHONIC CONSOLE AMPLIFIER MODEL H-1714

LOUDNESS CONTROL

Output volume is controlled by the two ganged potentiometers, VR2A and VR2B connected in the 6AU6 grid circuit. Since this control adjusts both channels together, a balance control, VR4 connected between the 6BQ5 stages and ground is needed to equalize channel outputs.

WOOFER SPEAKER TUNER-TAPE STEREO REVERSE

As can be seen on the schematic, the circuit of the woofer speaker, LS5 starts at chassis ground, goes through the secondary winding of the output transformer T1, to the woofer. From the woofer connection is made to the reversing switch (section 2 contact 2 of SW1) and the upper secondary winding of transformer T2. The other end of this winding is then grounded

by the rear section of the reversing switch to complete the circuit.

Since both right and left channels jointly drive the woofer, a phase difference between channel signals can cause cancellation and loss of woofer bass. Using the reversing switch to reverse the secondary winding of transformer T2 in its relation to the woofer and ground corrects this condition.